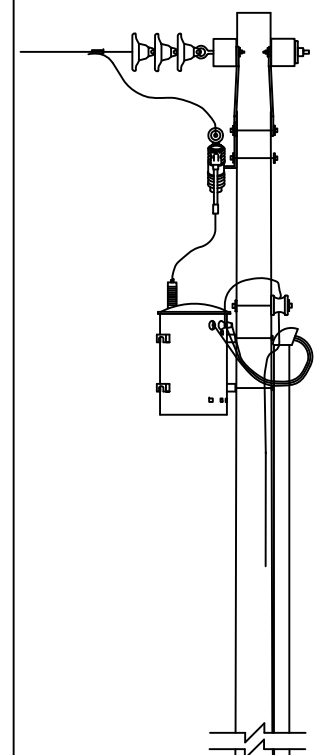


NOTES:

1. Main disconnect panel may not be used as an electrical race way.
2. Line taps shall be made by the electrical contractor if a galvanized wiring trough is used.
3. Weatherproof fittings required.
4. Two (2) disconnects can be substituted with (1) fused disconnect.
5. Wire sized to total disconnect(s) size.
6. Neutral(s) may only be reduced one size on residential application. No reduction of the neutral(s) is allowed on commercial application.
7. Notify Bartlett Electric Cooperative office when meter assembly is complete.
8. Bartlett will provide conduit and wire from transformer into UJB.
9. Member furnishes and installs UG service wire and conduit from UJB to meter.
10. Electrical contractor will leave 10' of tail at meter base so cooperative can terminate in UJB and meter base.
11. Electrical contractor will intercept conduit stub out from UJB (BEC provided).



Cooperative furnishes pole, loop, conduit and UJB.

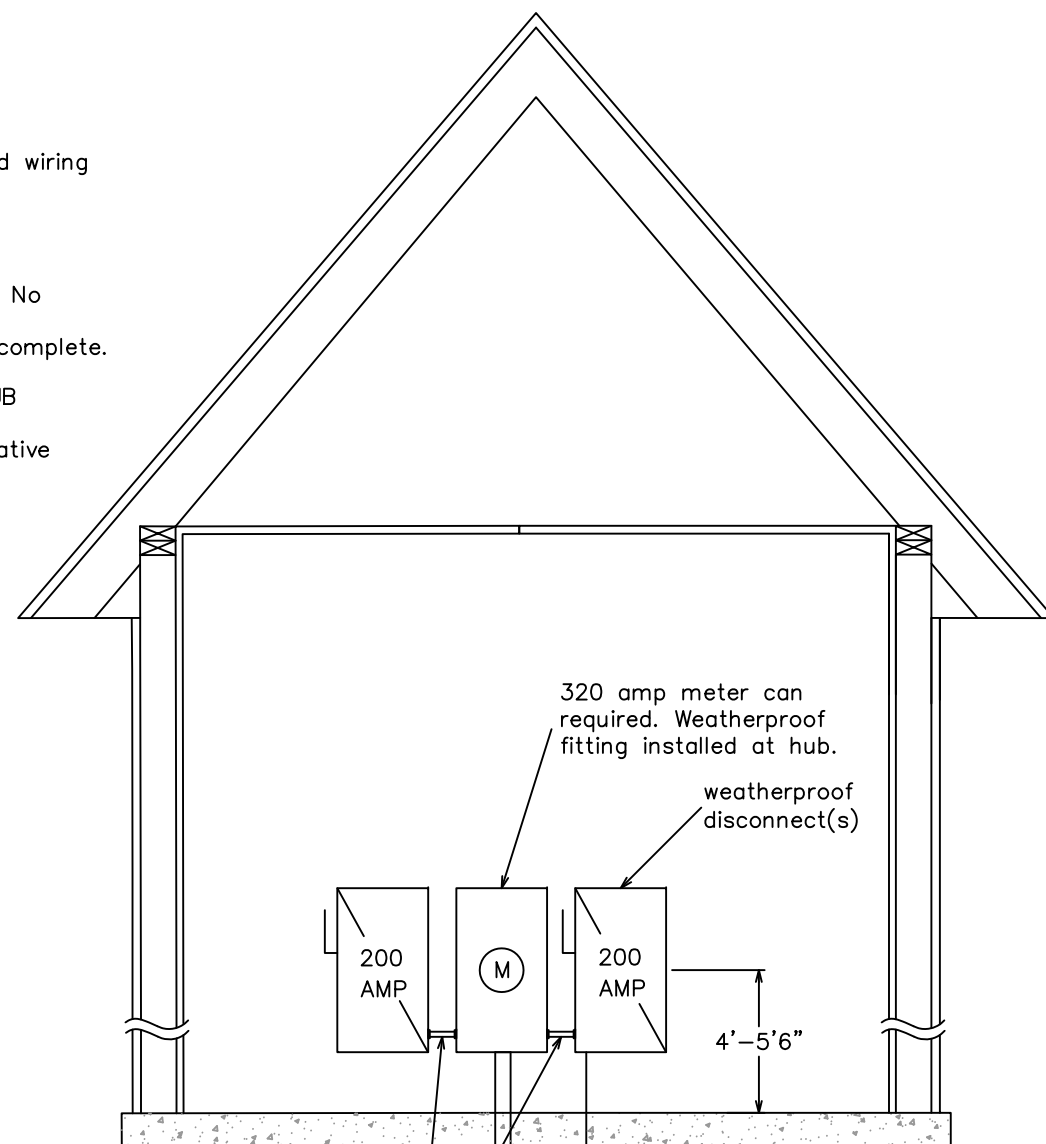
Underground junction box (UJB).  
Cooperative designated point of service.

24" Min.

Finished Grade

Members wire and conduit to meter

3" minimum schedule 40 rigid nonmetallic service conduit below finished grade



320 amp meter can be required. Weatherproof fitting installed at hub.

weatherproof disconnect(s)

200 AMP

M

200 AMP

4'-5'6"

Electrical conduit

8' ground rod to be driven 12" below grade

FOR THE MEMBER'S SAFETY,  
WIRING INSTALLATIONS SHALL  
CONFORM TO THE REQUIREMENTS  
OF THE NEC AND NESC.



BEC Power  
27492 HWY 95  
Bartlett, Texas 76511

1Ø, 320 AMP SERVICE  
ON BUILDING FROM OVERHEAD WITH  
CLASS 320 AMP METER SOCKET  
1 OR 2 DISCONNECTS

Drawn By: SEP	Checked By: GP	Approved By: KGS	Revised by: SE
Scale: N.T.S.	Date: 07-26-21	Drawing #: BEC-MS-2	Date: 07/26/21